

**LINEAR INDUCTION UNIT 24" WIDE**

**OPTIONS:**

- INLET LOCATION (SEE PAGE 2)
- INLET DAMPER (SEE PAGE 7)
- VOLUME FLOW REGULATOR (SEE PAGE 8)
- BORDER STYLE (SEE PAGE 6)
- MOUNTING BRACKET (SEE PAGE 3)
- PATTERN CONTROLLER (SEE PAGE 5)
- CONDENSATE PAN (SEE PAGE 4)
- CONDENSATE PAN MATERIAL (SEE PAGE 4)
- DRAIN PIPE ELEVATION (SEE PAGE 4)
- ACCESSORY (SEE PAGE 4)

**NOZZLE SIZE:**

- 309       506
- 416       607
- 412       604
- 406       601
- 510

**COIL TYPE:**

- 2P2C-NODV - 2 PIPE, 2 CIRCUIT
- 2P2C-DV - 2 PIPE, 2 CIRCUIT W/ DRAIN AND VENT
- 4P2C-NODV - 4 PIPE, 2 CIRCUIT
- 4P2C-DV - 4 PIPE, 2 CIRCUIT W/ DRAIN AND VENT

**COIL CONNECTION:**

- SWT - 1/2" SWEAT
- FNPT - 1/2" NPT - FEMALE
- MNPT - 1/2" NPT - MALE

**INLET SIZE:**

- 5 - 5" ROUND
- 6 - 6" ROUND
- 8 - 8" ROUND
- 10 - 10" ROUND (AVAILABLE FOR TOP ONLY)

**PLENUM FINISH :**

- GLV - UNPAINTED GALVANNEAL (DEFAULT)
- MATCH - MATCHES UNIT FINISH

**LINT SCREEN/ FILTER:**

- NONE (DEFAULT)
- LS - LINT SCREEN
- FF - 1" THICK DISPOSABLE FIBERGLASS FILTER
- MERV8 - 1" THICK MERV 8 PLEATED FILTER

**INSULATION:**

- NONE (DEFAULT)
- INT - INTERNAL 1/2" FIBERFREE
- EXT - EXTERNAL 1/2" FIBERFREE
- INEX - INTERNAL & EXTERNAL

**PROTECTIVE FILM:**

- NONE (DEFAULT)
- PF - PROTECTIVE FILM ON FACE AND INLET

**FINISH:**

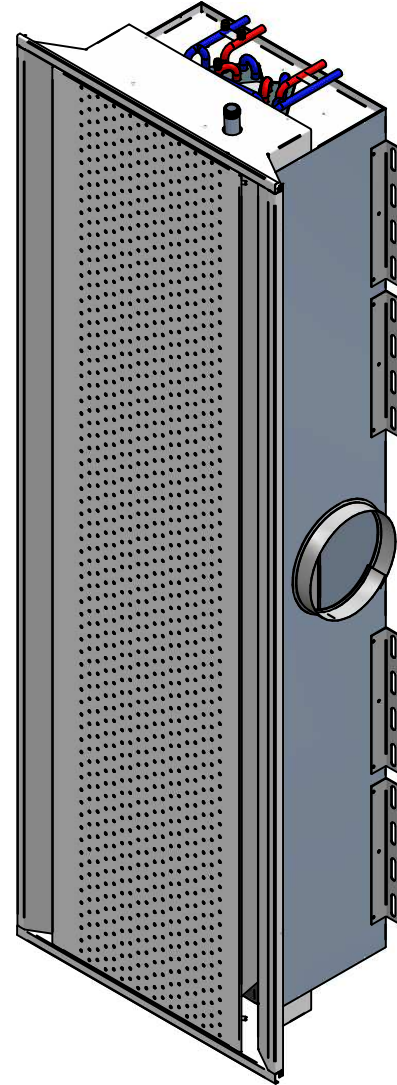
- B12 - STANDARD WHITE (DEFAULT)
- SPL - SPECIAL COLOR

**ELEVATION**

- SEA LEVEL
- HIGH ALTITUDE \_\_\_\_\_ FT

**NOTES:**

- STANDARD CONSTRUCTION: 20 GAUGE CASING CONSTRUCTION (STEEL)
- COIL PIPING IS FIXED
- FACTORY TOLERANCE ± 1/32"

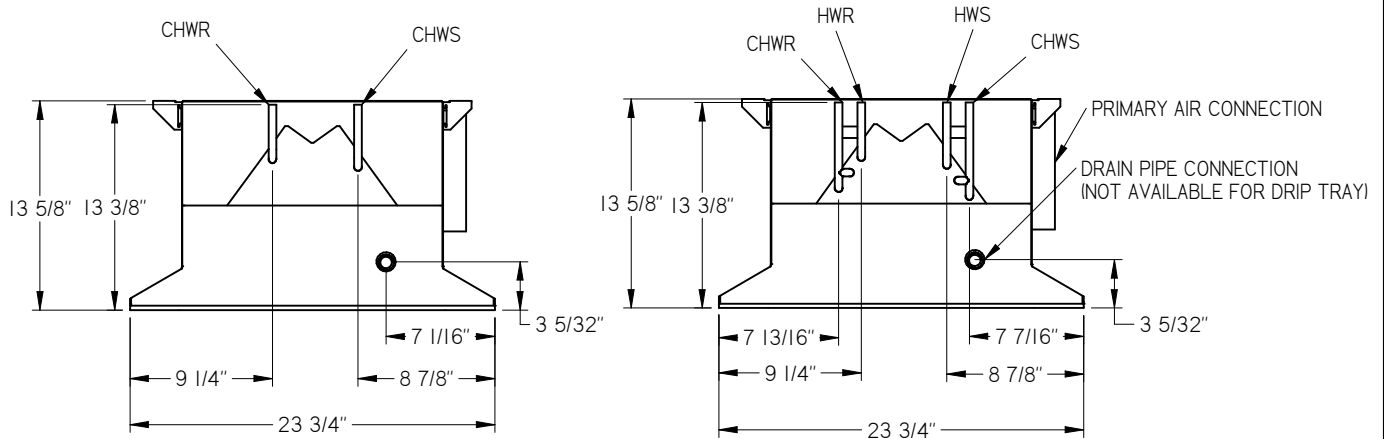


NOMINAL LENGTH	ACTUAL LENGTH (L)
24"	23 3/4"
36"	35 3/4"
48"	47 3/4"
60"	59 3/4"
72"	71 3/4"
84"	83 3/4"
96"	95 3/4"

<b>PROJECT:</b>		<b>PRICE</b>
<b>ENGINEER:</b>		
<b>CUSTOMER:</b>		<b>DY</b>
<b>SUBMITTAL DATE:</b>		<b>270582</b>
<b>SPEC. SYMBOL:</b>		<b>LIU24</b> LINEAR INDUCTION UNIT 24" WIDE
		<b>2023/11/22</b>

**LINEAR INDUCTION UNIT 24" WIDE**

COIL PIPING SIDE VIEW SHOWN

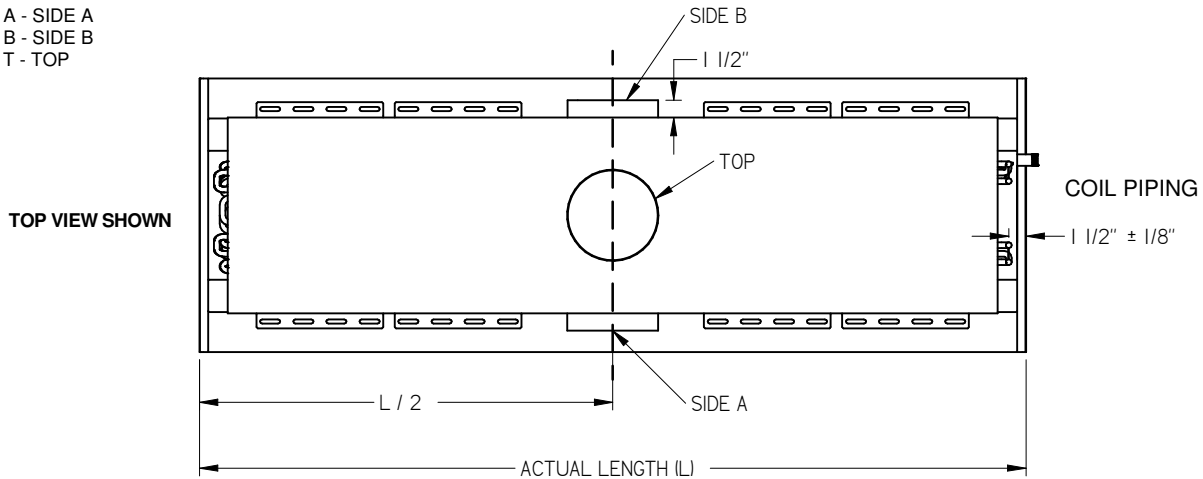


**2 - PIPE**

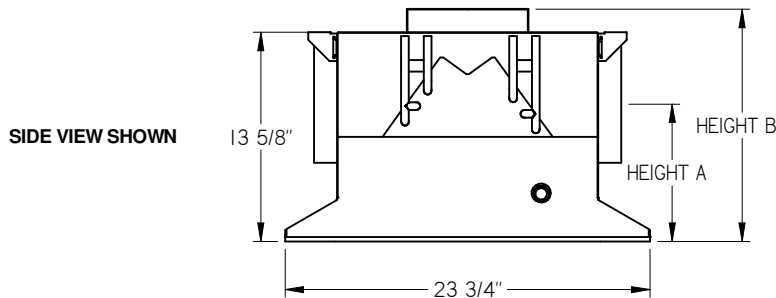
**4 - PIPE**

INLET LOCATION OPTIONS:

- A - SIDE A
- B - SIDE B
- T - TOP



TOP VIEW SHOWN



SIDE VIEW SHOWN

STANDARD DRAIN PIPE ELEVATION		
INLET SIZE	SIDE INLET HEIGHT A	TOP INLET HEIGHT B
5	10 9/16"	15 1/8"
6	10 1/16"	
8	9 1/16"	
10	NA	

**PROJECT:**

**ENGINEER:**

**CUSTOMER:**

**SUBMITTAL DATE:**

**SPEC. SYMBOL:**



**DY**  
**270582**

**LIU24**  
**LINEAR INDUCTION UNIT**  
**24" WIDE**

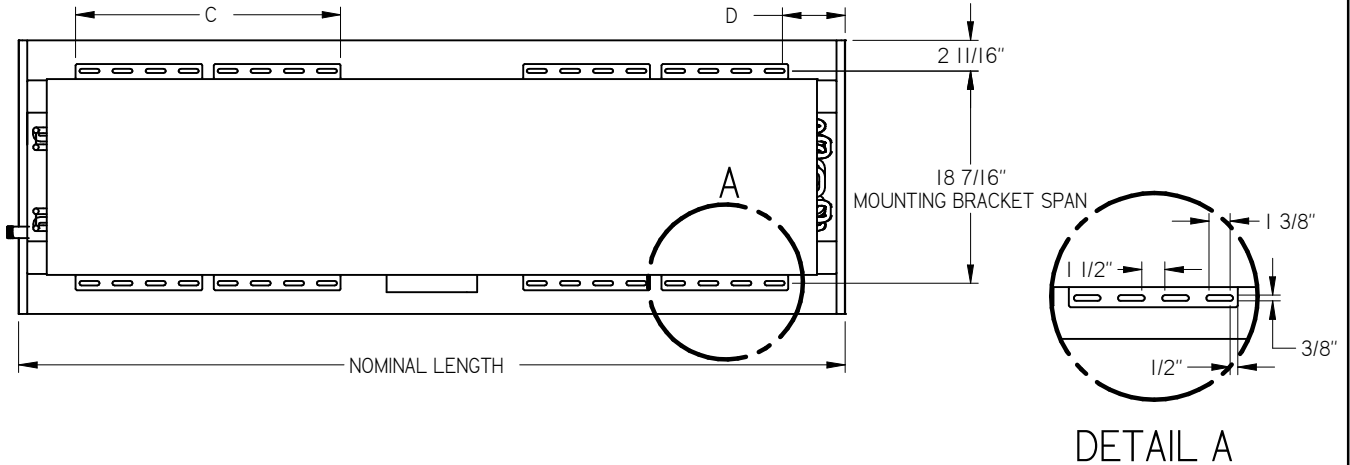
2023/11/22

**LINEAR INDUCTION UNIT 24" WIDE**

**MOUNTING BRACKET:**

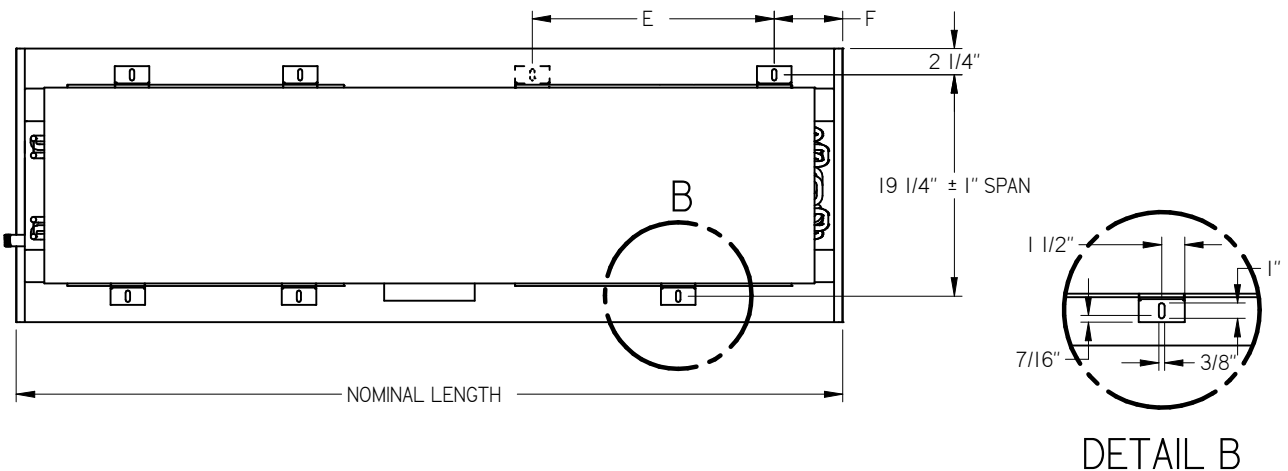
- FIX - FIXED BRACKET (DEFAULT)
- DIN - ADJUSTABLE BRACKET

**FIXED MOUNTING BRACKET SHOWN**



FIXED BRACKET AMOUNT PER LENGTH							
	NOMINAL LENGTH						
	24"	36"	48"	60"	72"	84"	96"
<b>QTY</b>	4	8	4	4	8	8	12
<b>BRACKET LENGTH (C)</b>	2 1/2"	6"	11"	11"	23"	23"	35"
<b>LENGTH (D)</b>	4"	4"	5 7/16"	5 7/16"	5 7/16"	5 7/16"	5 7/16"

**ADJUSTABLE MOUNTING BRACKET SHOWN**



ADJUSTABLE BRACKET AMOUNT PER LENGTH							
	NOMINAL LENGTH						
	24"	36"	48"	60"	72"	84"	96"
<b>QTY</b>	4	4	4	4	6	6	8
<b>BRACKET TRAVEL LENGTH (E)</b>	1/2"	4"	9"	9"	21"	21"	33"
<b>LENGTH (F)</b>	4 7/16"	4 7/16"	5 15/16"	5 15/16"	5 15/16"	5 15/16"	5 15/16"

**PROJECT:**

**ENGINEER:**

**CUSTOMER:**

**SUBMITTAL DATE:**

**SPEC. SYMBOL:**



**DY**

**270582**

**2023/11/22**

**LIU24**  
LINEAR INDUCTION UNIT  
24" WIDE

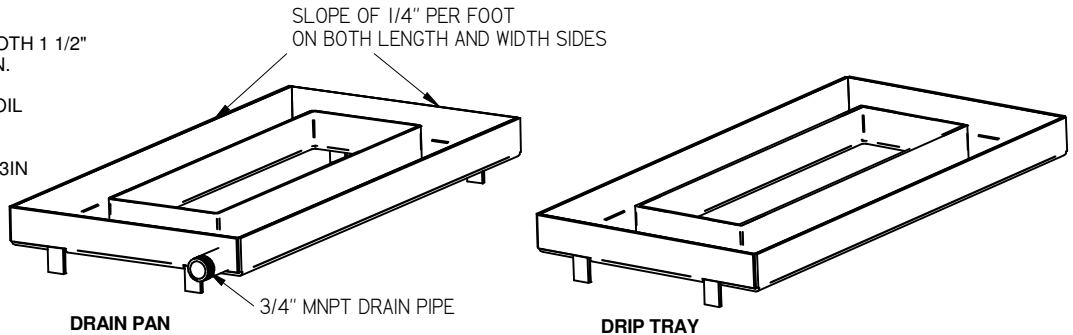
**LINEAR INDUCTION UNIT 24" WIDE**

**CONDENSATE PAN:**

- DP - DRAIN PAN
- DT - DRIP TRAY

**NOTES:**

- DRAIN PAN AND DRIP TRAY ARE BOTH 1 1/2" DEEP AND COVERED BY INSULATION.
- DRAIN PAN PIPE IS ALWAYS ON COIL CONNECTION SIDE.
- DRIP TRAY IS UNAVAILABLE WITH 3IN ELEVATION.

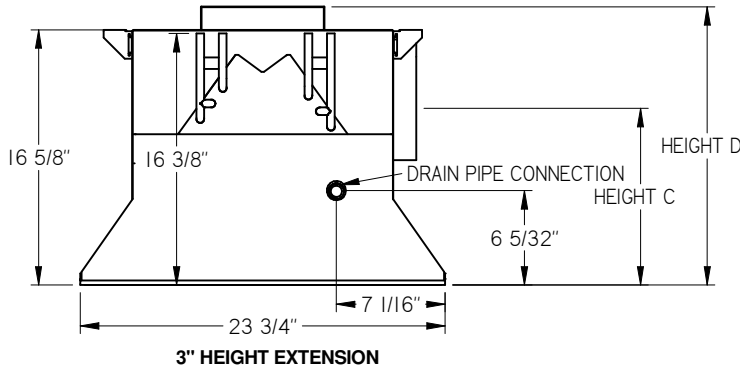


**CONDENSATE PAN MATERIAL OPTIONS:**

- GS - BLACK PAINTED GALV. STEEL (DEFAULT)
- SS - UNPAINTED STAINLESS STEEL

**DRAIN PIPE ELEVATION:**

- NONE - STANDARD (DEFAULT)
- 3IN - 3" DRAIN PIPE ELEVATION (INCREASE OVERALL HEIGHT BY 3 IN)



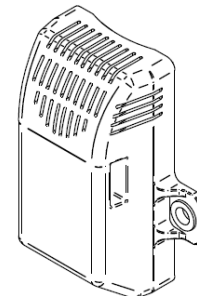
3" DRAIN PIPE ELEVATION		
INLET SIZE	SIDE INLET HEIGHT C	TOP INLET HEIGHT D
5	13 9/16"	18 1/8"
6	13 1/16"	
8	12 1/16"	
10	NA	

**ACCESSORY OPTIONS (SHIPPED LOOSE):**

- NONE (DEFAULT)
- FS - PLENUM RATED FLOAT SWITCH
- CS - CONDENSATE SENSOR
- FSCS - PLENUM RATED FLOAT SWITCH AND CONDENSATE SENSOR



**PLENUM RATED FLOAT SWITCH**



**CONDENSATE SENSOR**

**PROJECT:**

**ENGINEER:**

**CUSTOMER:**

**SUBMITTAL DATE:**

**SPEC. SYMBOL:**



**DY**

**270582**

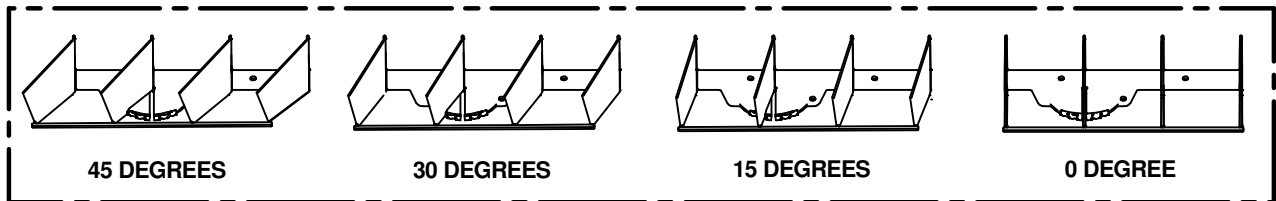
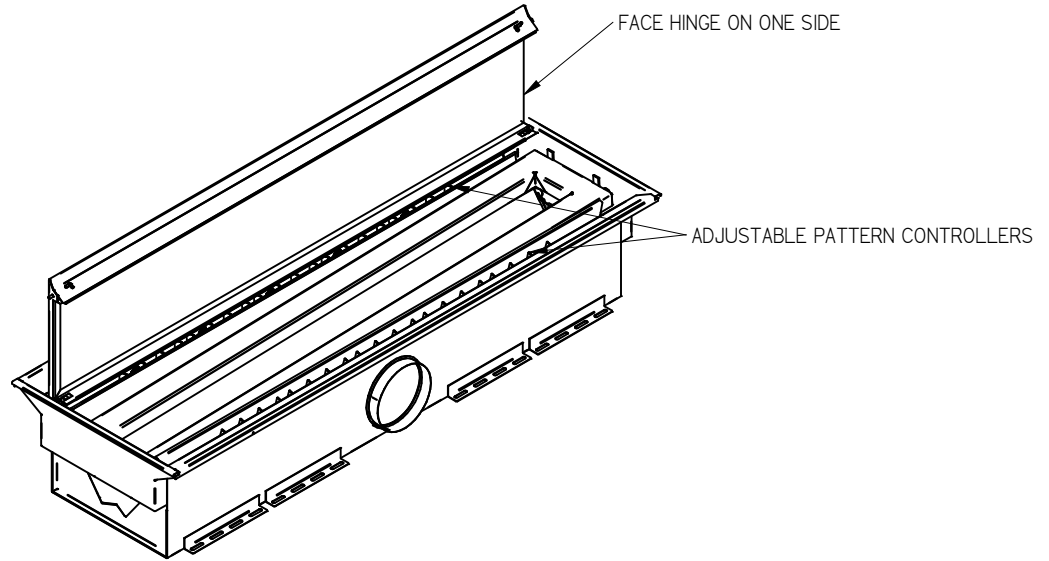
**2023/11/22**

**LIU24**  
LINEAR INDUCTION UNIT  
24" WIDE

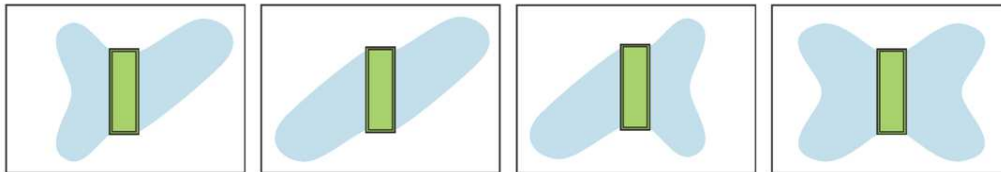
**LINEAR INDUCTION UNIT 24" WIDE**

**PATTERN CONTROLLERS:**

- NONE (DEFAULT)
- PC - ADJUSTABLE PATTERN CONTROLLERS  
LOCATED IN DISCHARGE SLOT  
(FIELD ADJUSTABLE, FACTORY SET AT  
0 DEGREE DEFLECTION)



VARIOUS PATTERN CONFIGURATIONS, CONTACT APPLICATION ENGINEERING FOR ASSISTANCE

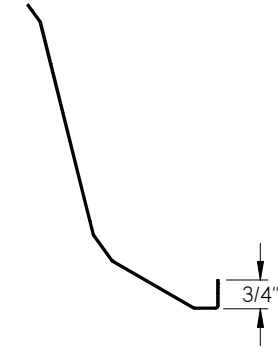


<b>PROJECT:</b>		<b>PRICE</b>	
<b>ENGINEER:</b>		<b>DY</b>	<b>LIU24</b> LINEAR INDUCTION UNIT 24" WIDE
<b>CUSTOMER:</b>			
<b>SUBMITTAL DATE:</b>	<b>SPEC. SYMBOL:</b>	<b>2023/11/22</b>	

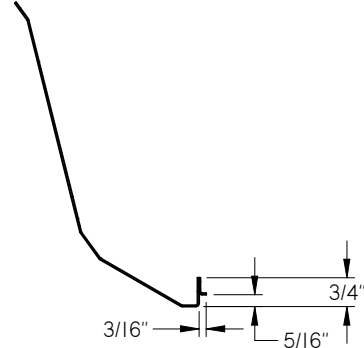
**LINEAR INDUCTION UNIT 24" WIDE**

**BORDER OPTIONS:**

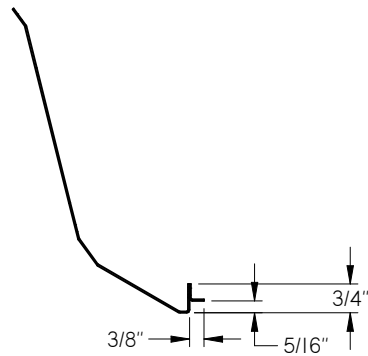
- NONE - STANDARD (DEFAULT)
- T9 - 9/16" TEGULAR
- T15 - 15/16" TEGULAR



STANDARD EDGE



9/16" TEGULAR EDGE



15/16" TEGULAR EDGE

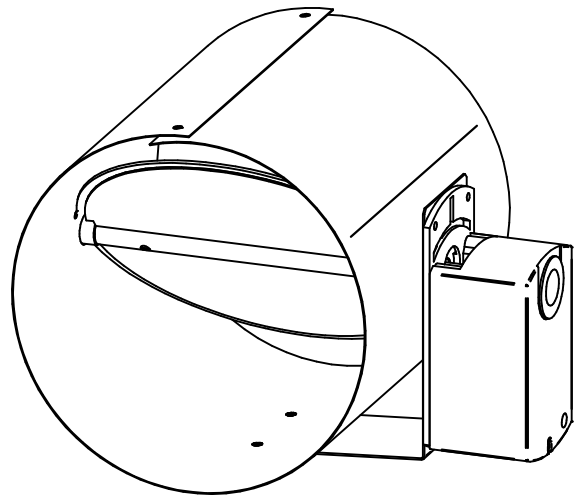
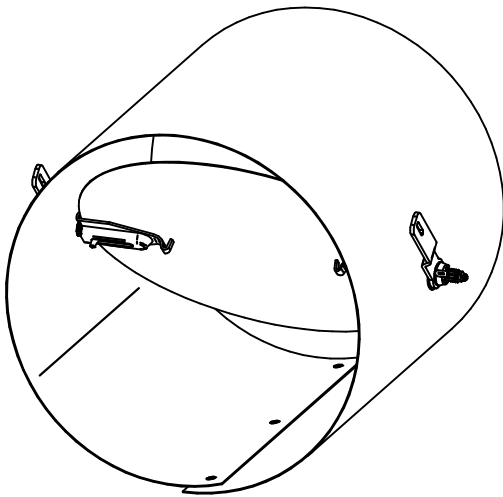
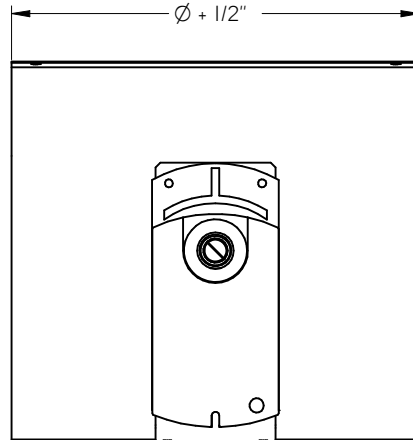
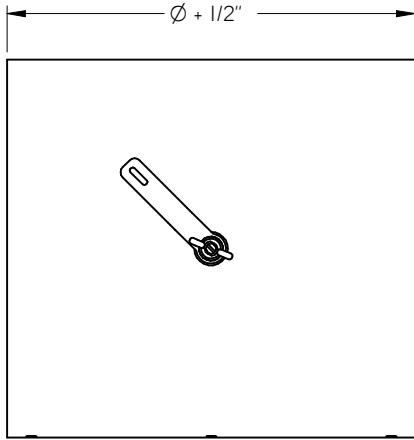
<b>PROJECT:</b>		<b>PRICE</b> <sup>®</sup>	
<b>ENGINEER:</b>		DY	<b>LIU24</b> LINEAR INDUCTION UNIT 24" WIDE
<b>CUSTOMER:</b>		270582	
<b>SUBMITTAL DATE:</b>	<b>SPEC. SYMBOL:</b>	2023/11/22	

**LINEAR INDUCTION UNIT 24" WIDE**

**DAMPER OPTIONS (SHIPPED LOOSE):**  
 (DAMPERS SHOULD NOT BE MOUNTED DIRECTLY TO THE INLET AND SHOULD ONLY BE USED FOR TRIMMING AIRFLOW)

- NONE (DEFAULT)
- MQ5 - 5" DAMPER W/  
MANUAL LOCKING QUADRANT
- MQ6 - 6" DAMPER W/  
MANUAL LOCKING QUADRANT
- MQ8 - 8" DAMPER W/  
MANUAL LOCKING QUADRANT

- VAV5 - 5" DAMPER W/ 24VAC  
FLOATING POINT ACTUATOR
- VAV6 - 6" DAMPER W/ 24VAC  
FLOATING POINT ACTUATOR
- VAV8 - 8" DAMPER W/ 24VAC  
FLOATING POINT ACTUATOR



**PROJECT:**



**ENGINEER:**

DY

**CUSTOMER:**

270582

**LIU24**  
 LINEAR INDUCTION UNIT  
 24" WIDE

**SUBMITTAL DATE:**

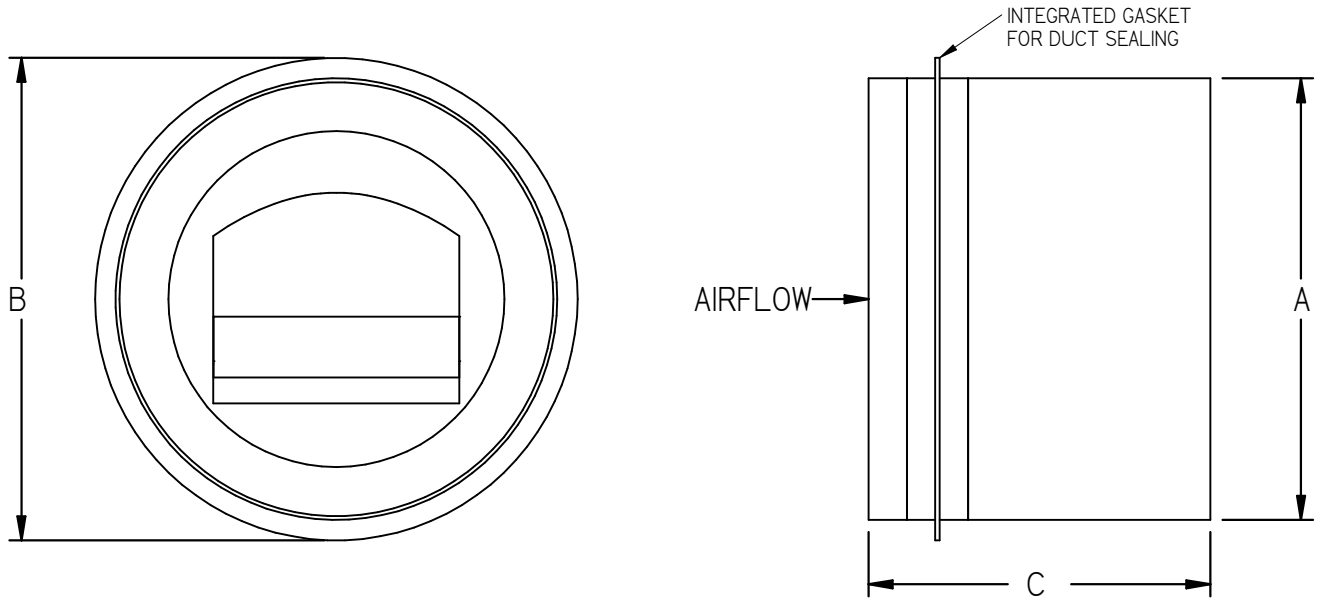
**SPEC. SYMBOL:**

2023/11/22

**LINEAR INDUCTION UNIT 24" WIDE**

**VOLUME FLOW REGULATOR OPTIONS (SHIPPED LOOSE):**

- |  |  |  |
|--|--|--|
| <input type="checkbox"/> NONE (DEFAULT)                  | <input type="checkbox"/> VFR6-75 - 6" DUCT VFR, 75 CFM   | <input type="checkbox"/> VFR8-125 - 8" DUCT VFR, 125 CFM |
| <input type="checkbox"/> VFR5-35 - 5" DUCT VFR, 35 CFM   | <input type="checkbox"/> VFR6-90 - 6" DUCT VFR, 90 CFM   | <input type="checkbox"/> VFR8-140 - 8" DUCT VFR, 140 CFM |
| <input type="checkbox"/> VFR5-50 - 5" DUCT VFR, 50 CFM   | <input type="checkbox"/> VFR6-105 - 6" DUCT VFR, 105 CFM | <input type="checkbox"/> VFR8-160 - 8" DUCT VFR, 160 CFM |
| <input type="checkbox"/> VFR5-60 - 5" DUCT VFR, 60 CFM   | <input type="checkbox"/> VFR6-125 - 6" DUCT VFR, 125 CFM | <input type="checkbox"/> VFR8-175 - 8" DUCT VFR, 175 CFM |
| <input type="checkbox"/> VFR5-75 - 5" DUCT VFR, 75 CFM   | <input type="checkbox"/> VFR6-140 - 6" DUCT VFR, 140 CFM | <input type="checkbox"/> VFR8-205 - 8" DUCT VFR, 205 CFM |
| <input type="checkbox"/> VFR5-90 - 5" DUCT VFR, 90 CFM   | <input type="checkbox"/> VFR6-160 - 6" DUCT VFR, 160 CFM | <input type="checkbox"/> VFR8-235 - 8" DUCT VFR, 235 CFM |
| <input type="checkbox"/> VFR5-105 - 5" DUCT VFR, 105 CFM | <input type="checkbox"/> VFR6-175 - 6" DUCT VFR, 175 CFM | <input type="checkbox"/> VFR8-265 - 8" DUCT VFR, 265 CFM |
|  |  | <input type="checkbox"/> VFR8-295 - 8" DUCT VFR, 295 CFM |



Duct Size	A	B	C	AIRFLOW SELECTIONS (CFM)
5" (125)	4.800	5.100	3.500	35, 50, 60, 75, 90, 105
6" (150)	5.800	6.100	3.500	75, 90, 105, 125, 140, 160, 175
8" (200)	7.600	8.100	3.500	125, 140, 160, 175, 205, 235, 265, 295

**STANDARD CONSTRUCTION:**

- BLACK ABS PLASTIC, UL94V-0 RATED
- UL2043 LISTED
- SIZED TO FIT INSIDE STANDARD RIGID ROUND DUCTING
- INTEGRATED GASKET FOR SEALING AGAINST INSIDE OF DUCT

**PERFORMANCE:**

- CONTROLS AIRFLOW WITHIN 10% OF RATED FLOW (15% FOR UNITS 50CFM OR LESS) FOR 0.2" TO 0.8" W.C.

<b>PROJECT:</b>		<b>PRICE</b>	
<b>ENGINEER:</b>			
<b>CUSTOMER:</b>		<b>LIU24</b> LINEAR INDUCTION UNIT 24" WIDE	
<b>SUBMITTAL DATE:</b>	<b>SPEC. SYMBOL:</b>	270582	
		2023/11/22	